

Из тепловой сети Ду100

В тепловую сеть Ду100

Подающий трубопровод к блокам Ду100

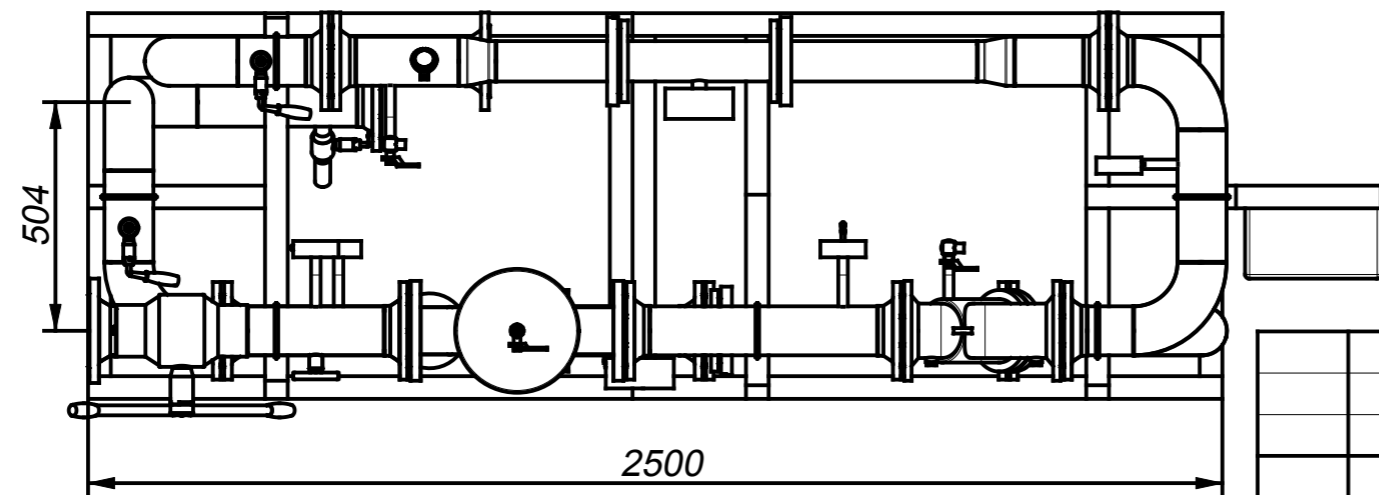
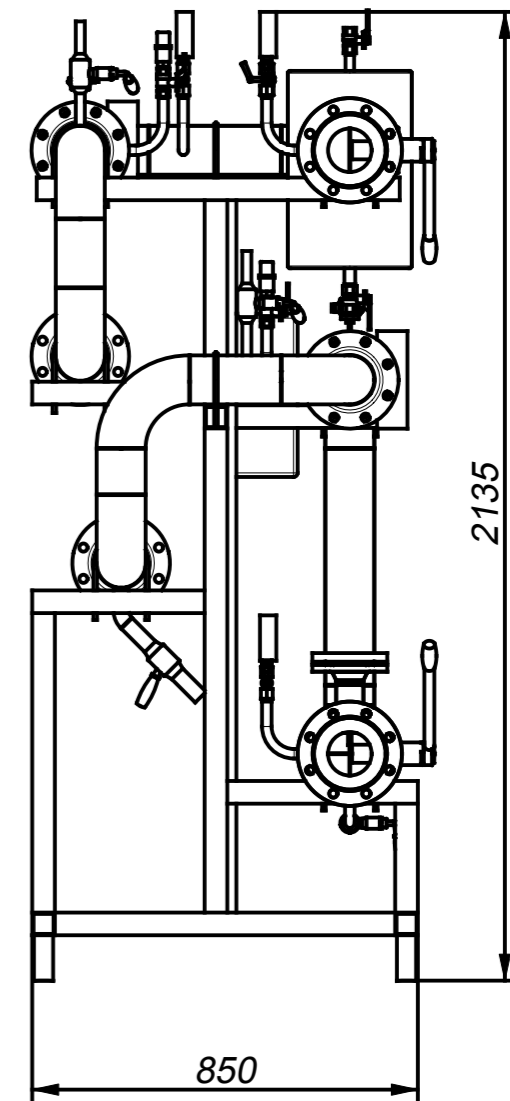
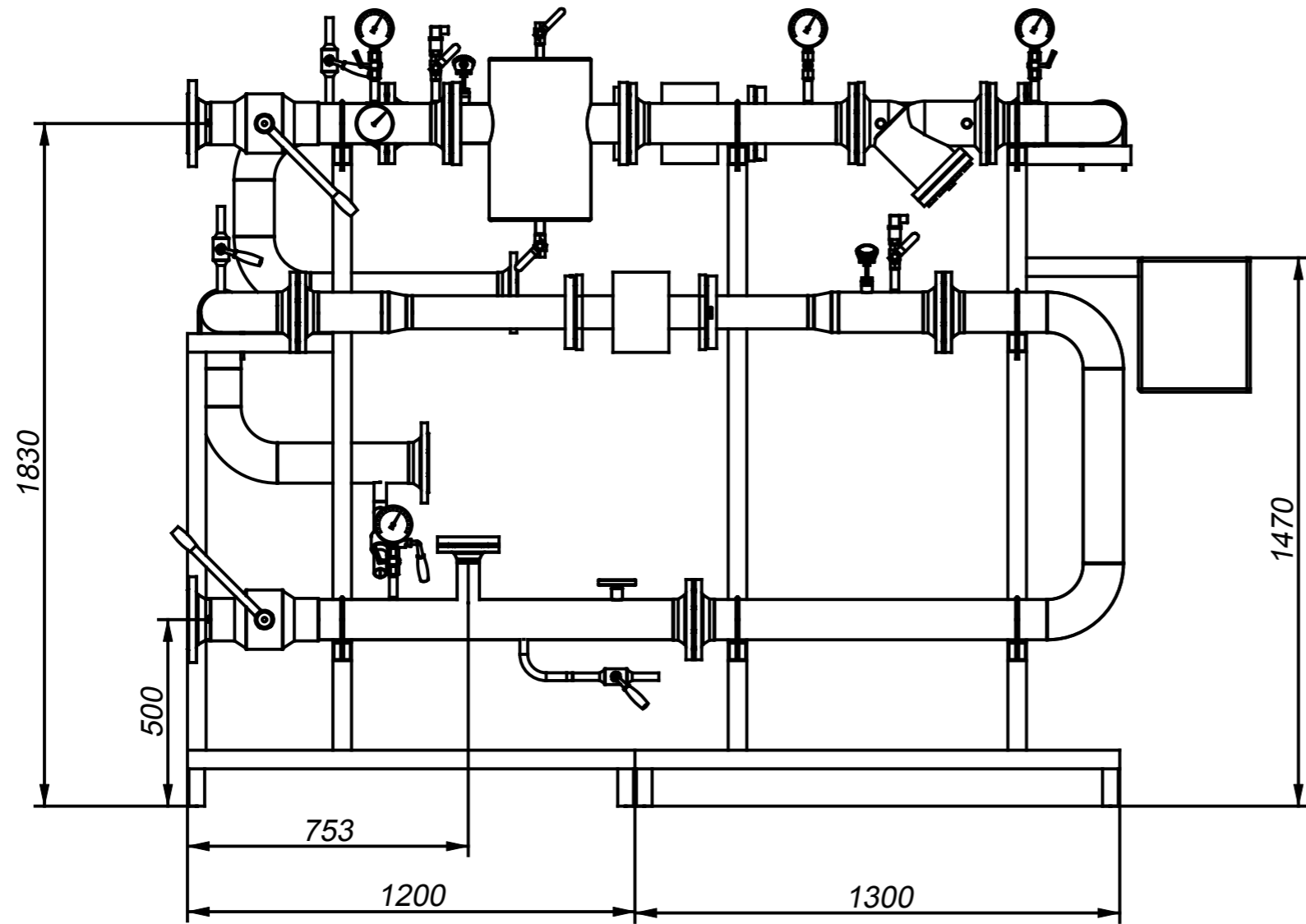
Отвод под присоединение подпитки Ду50

Обратный трубопровод от блоков Ду100

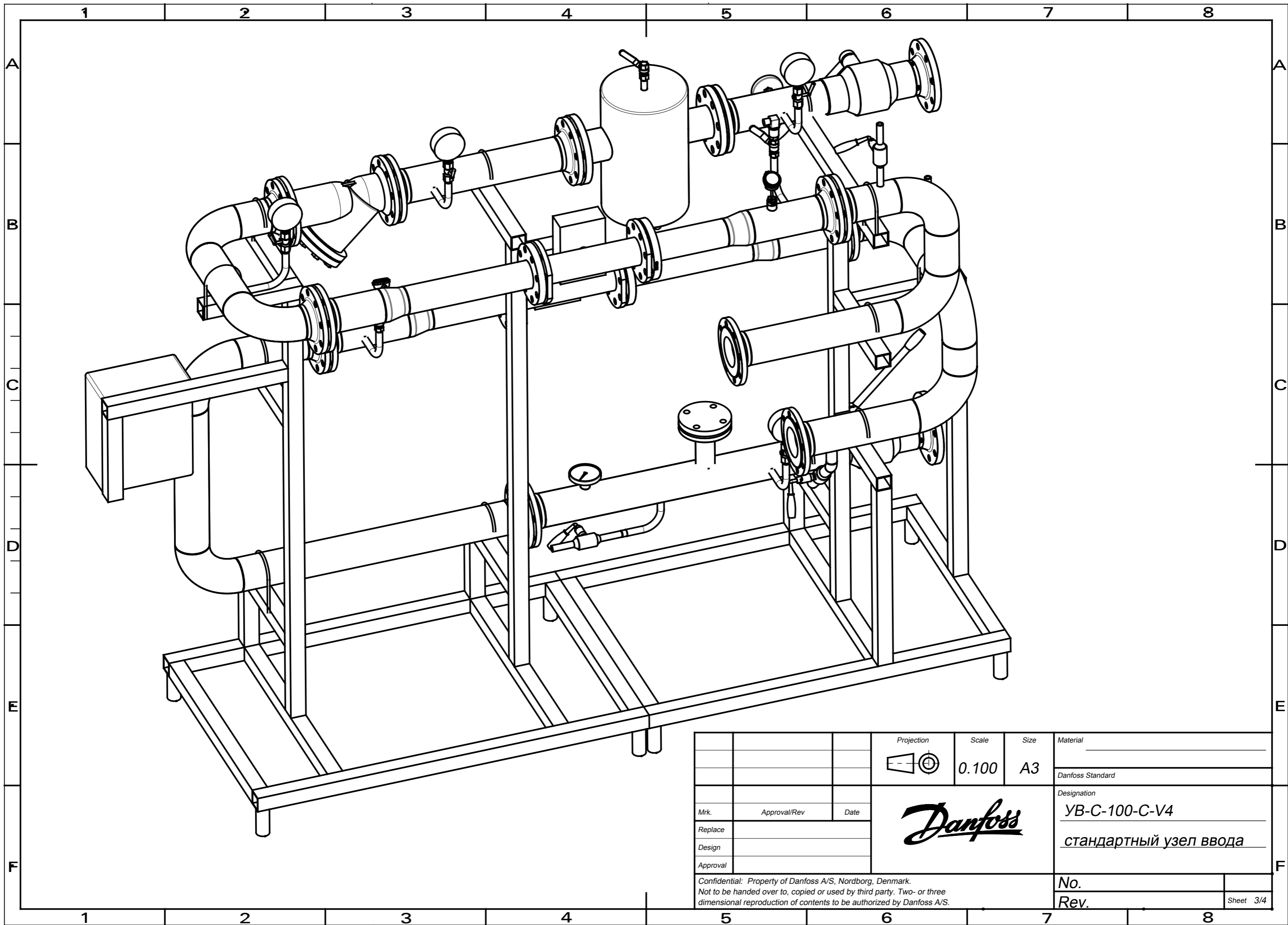
Соединительные трубопроводы для обвязки блоков между собой не входят в зону поставки ООО «Данфосс»

| | | | | | | |
|----------|--------------|------|------------|-------|------|------------------------|
| | | | Projection | Scale | Size | Material |
| | | | | 0.100 | A3 | |
| | | | | | | Danfoss Standard |
| Mrk. | Approval/Rev | Date | | | | Designation |
| Replace | | | | | | УВ-С-100-С-V4 |
| Design | | | | | | стандартный узел ввода |
| Approval | | | No. | | | |
| | | | | | | Rev. |
| | | | | | | Sheet 1/4 |

Confidential: Property of Danfoss A/S, Nordborg, Denmark.
Not to be handed over to, copied or used by third party. Two- or three dimensional reproduction of contents to be authorized by Danfoss A/S.

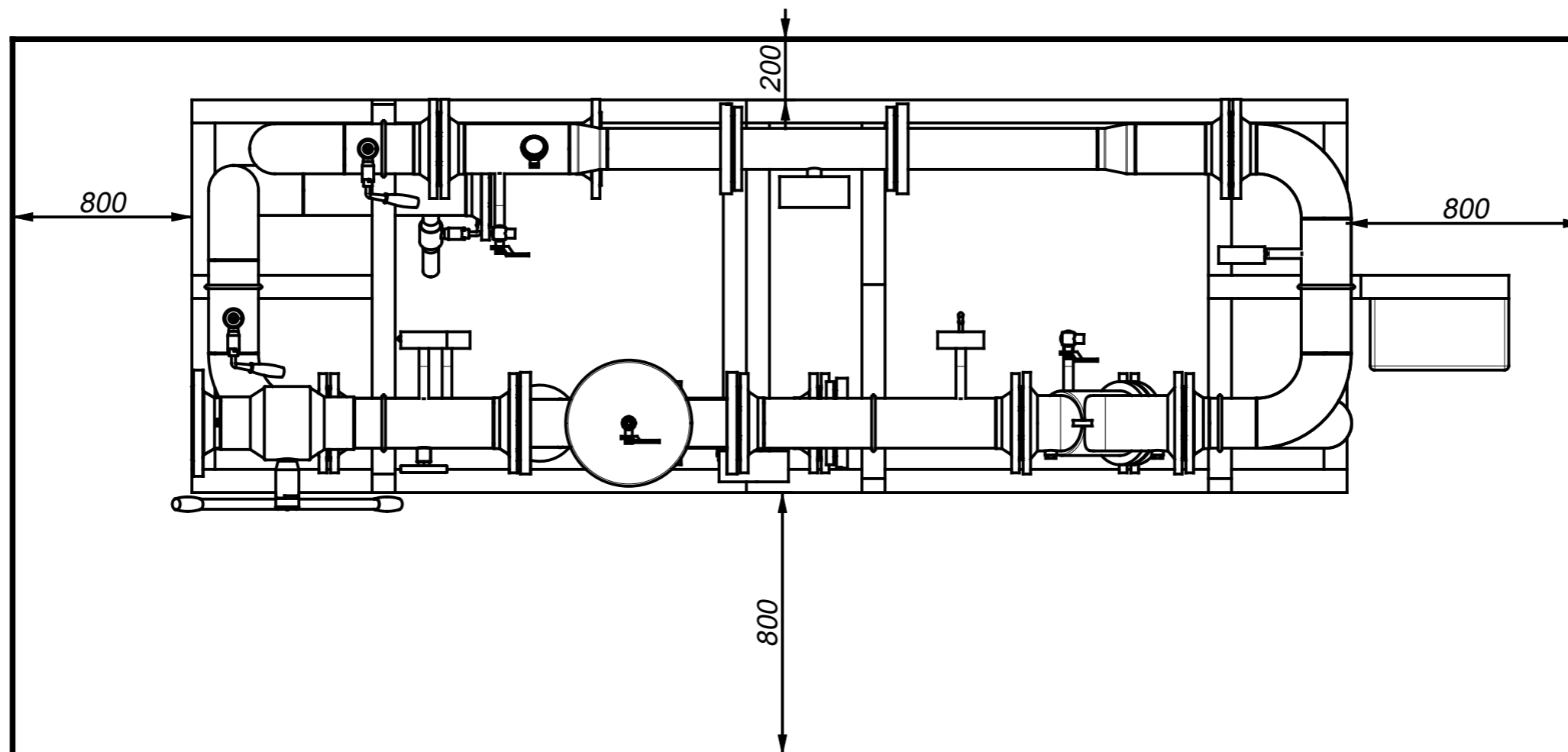


| | | | | | | |
|---|--------------|------|----------------|----------------|------------|------------------------------|
| | | | Projection | Scale 0.080 | Size A3 | Material _____ |
| | | | | | | Danfoss Standard |
| Mrk. | Approval/Rev | Date | | | | Designation УВ-С-100-С-V4 |
| Replace | | | | | | стандартный узел ввода |
| Design | | | | | | |
| Approval | | | | | | |
| Confidential: Property of Danfoss A/S, Nordborg, Denmark. Not to be handed over to, copied or used by third party. Two- or three dimensional reproduction of contents to be authorized by Danfoss A/S. | | | | | | No. _____ |
| | | | | | | Rev. _____ |
| | | | | | | Sheet 2/4 |



| | | | | | |
|---|--------------|------------|-------|------|------------------------|
| | | Projection | Scale | Size | Material |
| | | | 0.100 | A3 | _____ |
| | | | | | Danfoss Standard |
| Mrk. | Approval/Rev | Date | | | Designation |
| Replace | | | | | UB-C-100-C-V4 |
| Design | | | | | стандартный узел ввода |
| Approval | | | | | |
| Confidential: Property of Danfoss A/S, Nordborg, Denmark. Not to be handed over to, copied or used by third party. Two- or three dimensional reproduction of contents to be authorized by Danfoss A/S. | | | | | No. |
| | | | | | Rev. |
| | | | | | Sheet 3/4 |

На данном виде красным прямоугольником показана рекомендованная зона обслуживания БТП. БТП следует размещать, выдерживая указанные расстояния от стен или другого оборудования, для обеспечения этой зоны.



| | | | | | | |
|---|--------------|------|----------------|---------------|------------------------------|-------------------|
| | | | Projection | Scale 1:50 | Size A3 | Material _____ |
| | | | | | Danfoss Standard | |
| Mrk. | Approval/Rev | Date | | | Designation УВ-С-100-С-V4 | |
| Replace | | | | | стандартный узел ввода | |
| Design | | | | | | |
| Approval | | | | | | |
| Confidential: Property of Danfoss A/S, Nordborg, Denmark. Not to be handed over to, copied or used by third party. Two- or three dimensional reproduction of contents to be authorized by Danfoss A/S. | | | | | | No. _____ |
| | | | | | | Rev. _____ |
| | | | | | | Sheet 4/4 |