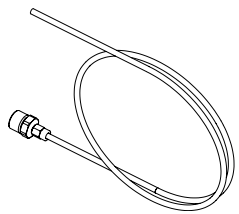



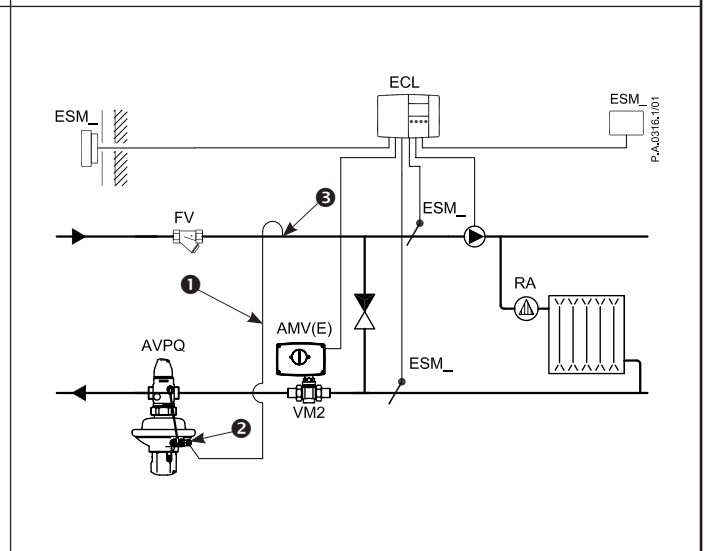
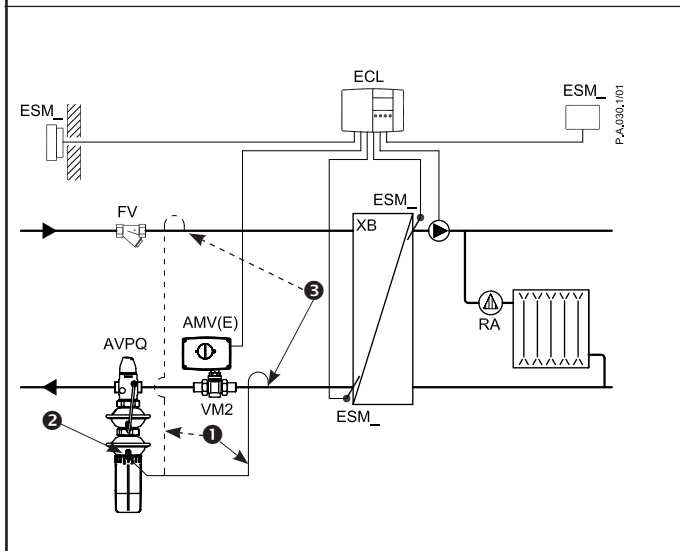
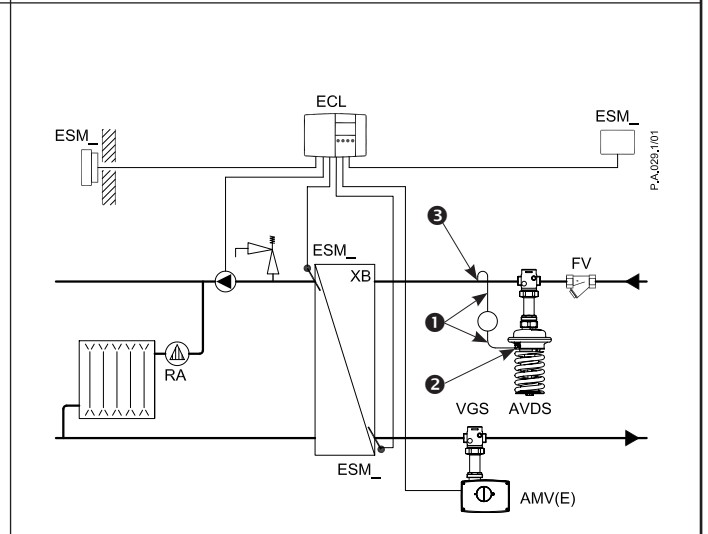
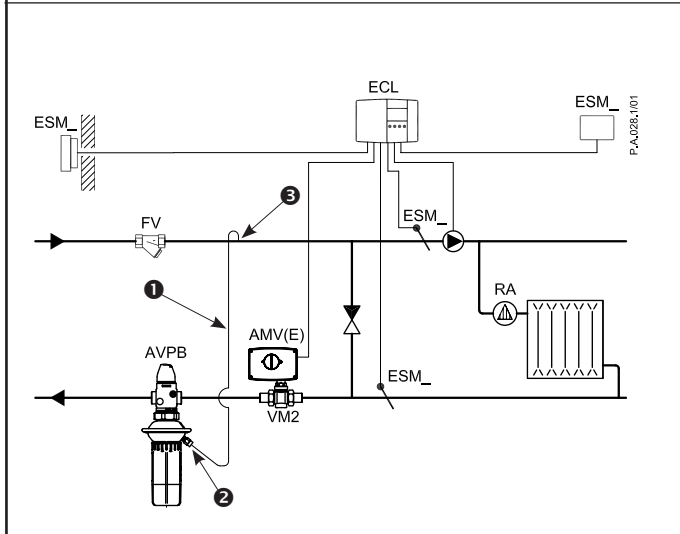
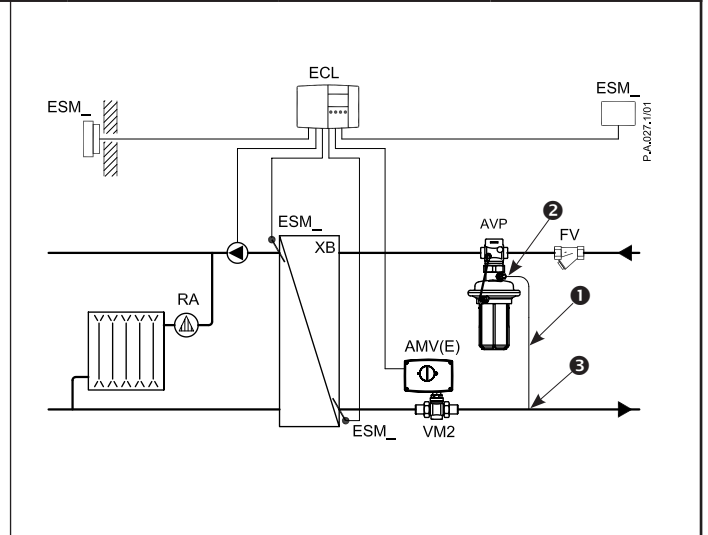
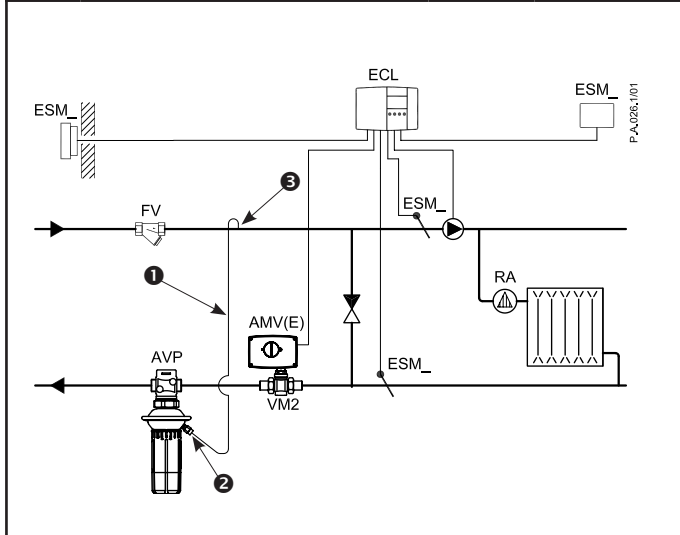


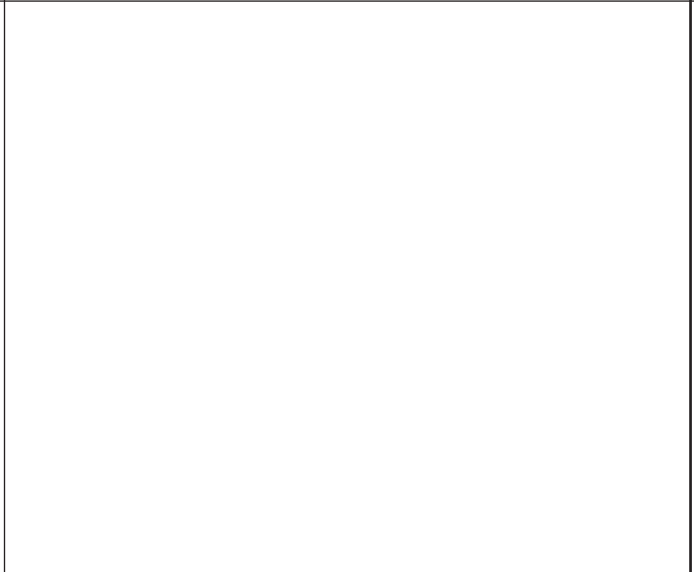
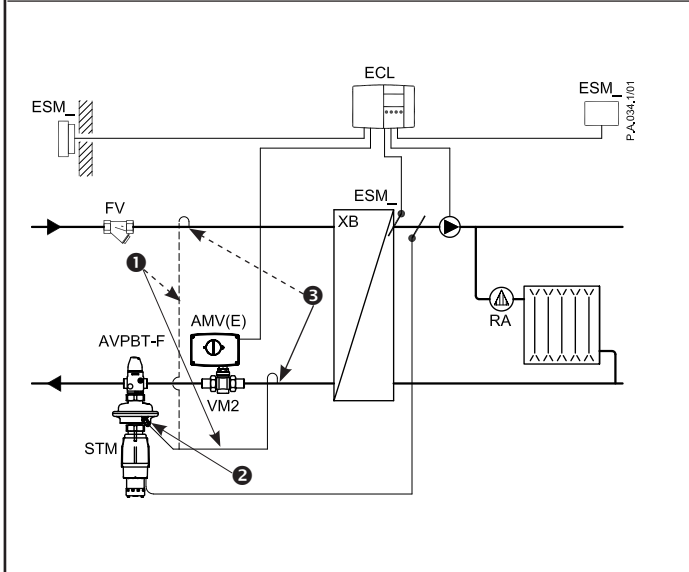
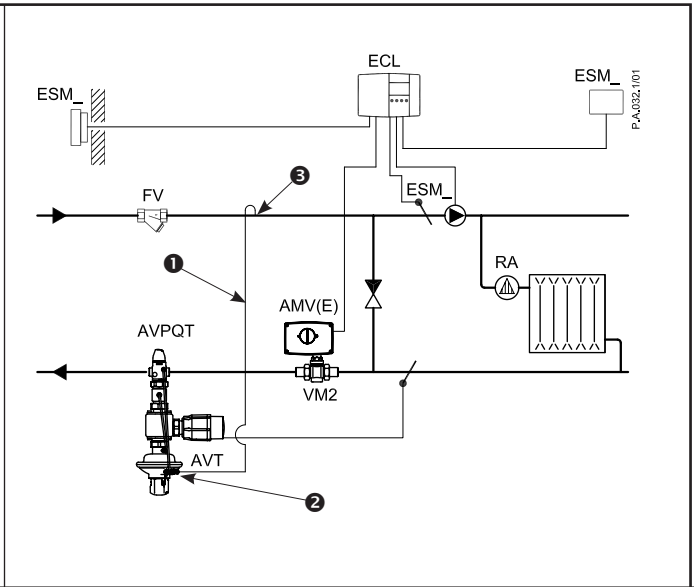
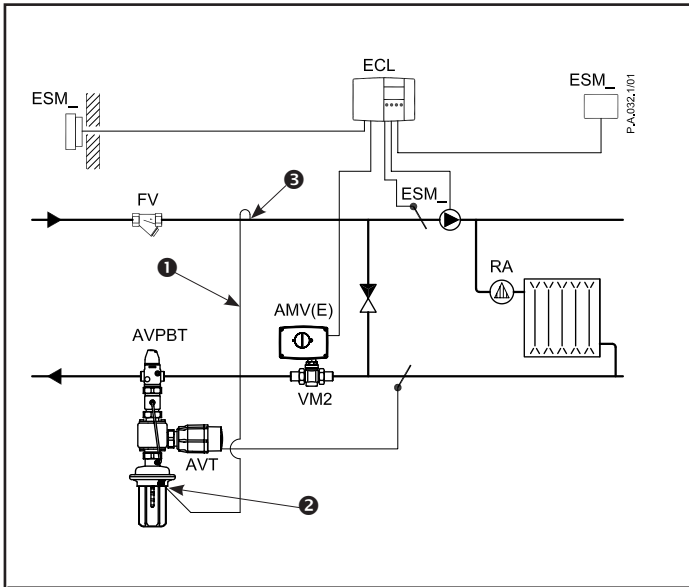
Instructions

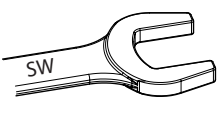
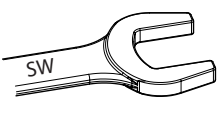
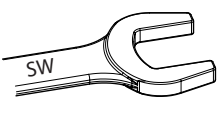
Accessories – Catalogue

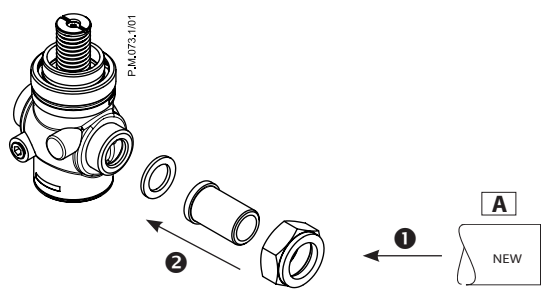
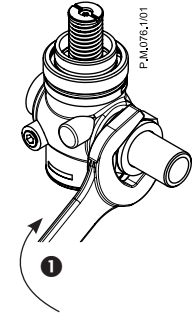
2	①		R 1/8	003H6852		SW 12 (14 Nm)	SW 10																		
			R 3/8	003H6853		SW 12 (14 Nm)	SW 17																		
			R 1/2	003H6854		SW 12 (14 Nm)	SW 22																		
			–	003H6860		SW 12 (14 Nm)	SW 12 (14 Nm)																		
	②		G 1/8	003H6931		SW 12 (14 Nm)	SW 14																		
				003H6932																					
	③		R 1/8	003H6857		SW 12 (14 Nm)	SW 10																		
			R 3/8	003H6858		SW 12 (14 Nm)	SW 17																		
			R 1/2	003H6859		SW 12 (14 Nm)	SW 22																		
4	A	<table border="1"> <thead> <tr> <th>DN (mm)</th> <th>EN 10226-1</th> </tr> </thead> <tbody> <tr> <td>15</td> <td>G 3/4</td> </tr> <tr> <td>20</td> <td>G 1</td> </tr> <tr> <td>25</td> <td>G 1 1/4</td> </tr> <tr> <td>32</td> <td>G 1 3/4</td> </tr> </tbody> </table>	DN (mm)	EN 10226-1	15	G 3/4	20	G 1	25	G 1 1/4	32	G 1 3/4	C	<table border="1"> <thead> <tr> <th>DN (mm)</th> <th>SW (mm)</th> </tr> </thead> <tbody> <tr> <td>15</td> <td>32</td> </tr> <tr> <td>20</td> <td>41</td> </tr> <tr> <td>25</td> <td>50</td> </tr> <tr> <td>32</td> <td>63</td> </tr> </tbody> </table>	DN (mm)	SW (mm)	15	32	20	41	25	50	32	63	
	DN (mm)		EN 10226-1																						
15	G 3/4																								
20	G 1																								
25	G 1 1/4																								
32	G 1 3/4																								
DN (mm)	SW (mm)																								
15	32																								
20	41																								
25	50																								
32	63																								
B																									
5																									
8																									

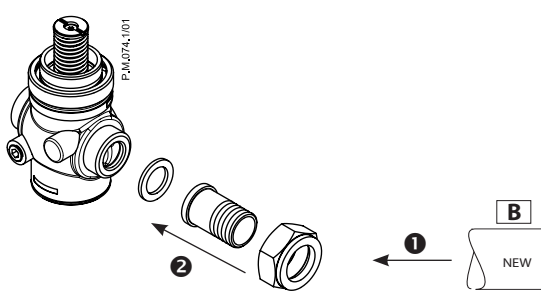
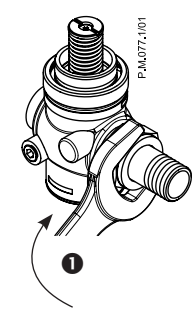
1		R 1/8	003H6852		SW 12 (14 Nm)	SW 10
		R 3/8	003H6853		SW 12 (14 Nm)	SW 17
		R 1/2	003H6854		SW 12 (14 Nm)	SW 22
		-	003H6860		SW 12 (14 Nm)	SW 12 (14 Nm)
2		G 1/8	003H6931		SW 12 (14 Nm)	SW 14
			003H6932			
3		R 1/8	003H6857		SW 12 (14 Nm)	SW 10
		R 3/8	003H6858		SW 12 (14 Nm)	SW 17
		R 1/2	003H6859		SW 12 (14 Nm)	SW 22

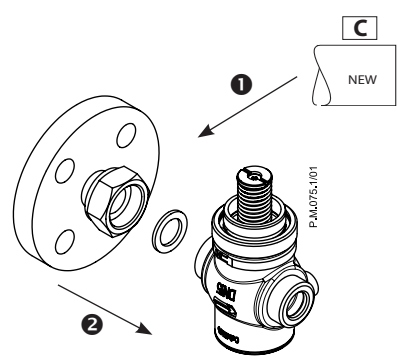
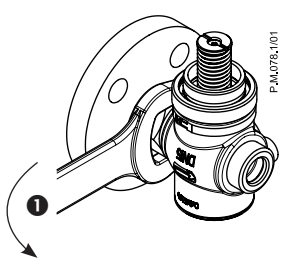


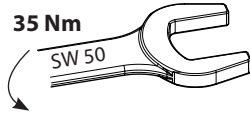
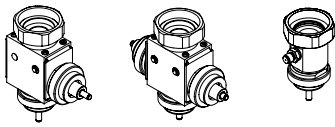


A	B	C	<table border="1" style="width: 100%; border-collapse: collapse;"> <tr> <td style="width: 15%; text-align: center;">A</td> <td style="width: 15%; text-align: center;">B</td> <td style="width: 15%; text-align: center;">C</td> </tr> <tr> <td style="text-align: center;"> <table border="1" style="width: 100%; border-collapse: collapse;"> <thead> <tr> <th style="text-align: center;">DN (mm)</th> <th style="text-align: center;">EN 10226-1</th> </tr> </thead> <tbody> <tr> <td style="text-align: center;">15</td> <td style="text-align: center;">G ¾</td> </tr> <tr> <td style="text-align: center;">20</td> <td style="text-align: center;">G 1</td> </tr> <tr> <td style="text-align: center;">25</td> <td style="text-align: center;">G 1¼</td> </tr> <tr> <td style="text-align: center;">32</td> <td style="text-align: center;">G 1¾</td> </tr> </tbody> </table> </td> <td style="text-align: center;"> <table border="1" style="width: 100%; border-collapse: collapse;"> <thead> <tr> <th style="text-align: center;">DN (mm)</th> <th style="text-align: center;">SW (mm)</th> </tr> </thead> <tbody> <tr> <td style="text-align: center;">15</td> <td style="text-align: center;">32</td> </tr> <tr> <td style="text-align: center;">20</td> <td style="text-align: center;">41</td> </tr> <tr> <td style="text-align: center;">25</td> <td style="text-align: center;">50</td> </tr> <tr> <td style="text-align: center;">32</td> <td style="text-align: center;">63</td> </tr> </tbody> </table> </td> <td style="text-align: center;">  </td> </tr> </table>	A	B	C	<table border="1" style="width: 100%; border-collapse: collapse;"> <thead> <tr> <th style="text-align: center;">DN (mm)</th> <th style="text-align: center;">EN 10226-1</th> </tr> </thead> <tbody> <tr> <td style="text-align: center;">15</td> <td style="text-align: center;">G ¾</td> </tr> <tr> <td style="text-align: center;">20</td> <td style="text-align: center;">G 1</td> </tr> <tr> <td style="text-align: center;">25</td> <td style="text-align: center;">G 1¼</td> </tr> <tr> <td style="text-align: center;">32</td> <td style="text-align: center;">G 1¾</td> </tr> </tbody> </table>	DN (mm)	EN 10226-1	15	G ¾	20	G 1	25	G 1¼	32	G 1¾	<table border="1" style="width: 100%; border-collapse: collapse;"> <thead> <tr> <th style="text-align: center;">DN (mm)</th> <th style="text-align: center;">SW (mm)</th> </tr> </thead> <tbody> <tr> <td style="text-align: center;">15</td> <td style="text-align: center;">32</td> </tr> <tr> <td style="text-align: center;">20</td> <td style="text-align: center;">41</td> </tr> <tr> <td style="text-align: center;">25</td> <td style="text-align: center;">50</td> </tr> <tr> <td style="text-align: center;">32</td> <td style="text-align: center;">63</td> </tr> </tbody> </table>	DN (mm)	SW (mm)	15	32	20	41	25	50	32	63	
A	B	C																											
<table border="1" style="width: 100%; border-collapse: collapse;"> <thead> <tr> <th style="text-align: center;">DN (mm)</th> <th style="text-align: center;">EN 10226-1</th> </tr> </thead> <tbody> <tr> <td style="text-align: center;">15</td> <td style="text-align: center;">G ¾</td> </tr> <tr> <td style="text-align: center;">20</td> <td style="text-align: center;">G 1</td> </tr> <tr> <td style="text-align: center;">25</td> <td style="text-align: center;">G 1¼</td> </tr> <tr> <td style="text-align: center;">32</td> <td style="text-align: center;">G 1¾</td> </tr> </tbody> </table>	DN (mm)	EN 10226-1	15	G ¾	20	G 1	25	G 1¼	32	G 1¾	<table border="1" style="width: 100%; border-collapse: collapse;"> <thead> <tr> <th style="text-align: center;">DN (mm)</th> <th style="text-align: center;">SW (mm)</th> </tr> </thead> <tbody> <tr> <td style="text-align: center;">15</td> <td style="text-align: center;">32</td> </tr> <tr> <td style="text-align: center;">20</td> <td style="text-align: center;">41</td> </tr> <tr> <td style="text-align: center;">25</td> <td style="text-align: center;">50</td> </tr> <tr> <td style="text-align: center;">32</td> <td style="text-align: center;">63</td> </tr> </tbody> </table>	DN (mm)	SW (mm)	15	32	20	41	25	50	32	63								
DN (mm)	EN 10226-1																												
15	G ¾																												
20	G 1																												
25	G 1¼																												
32	G 1¾																												
DN (mm)	SW (mm)																												
15	32																												
20	41																												
25	50																												
32	63																												

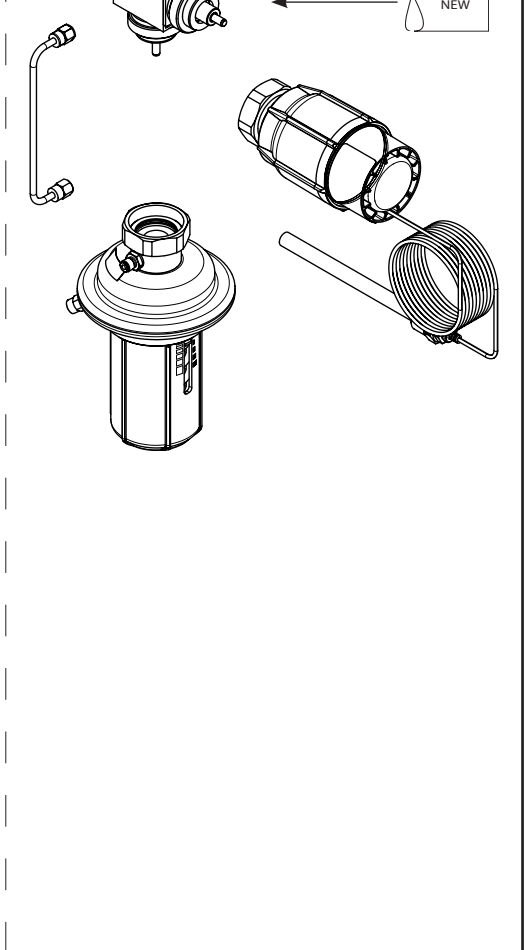
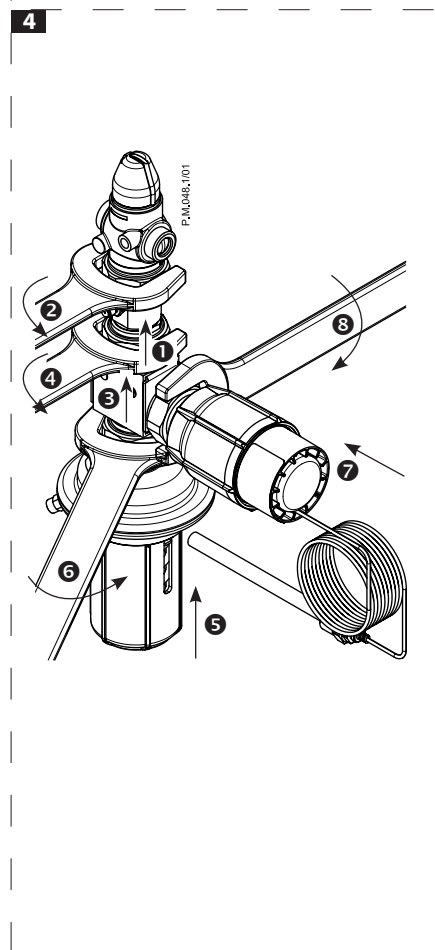
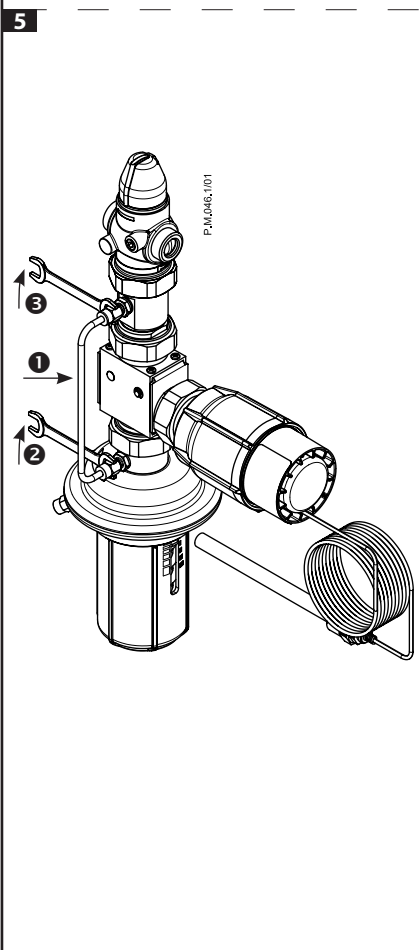
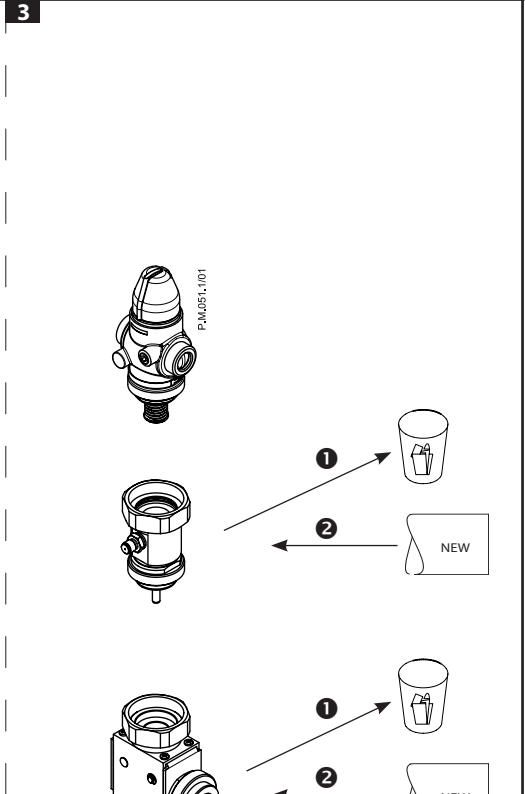
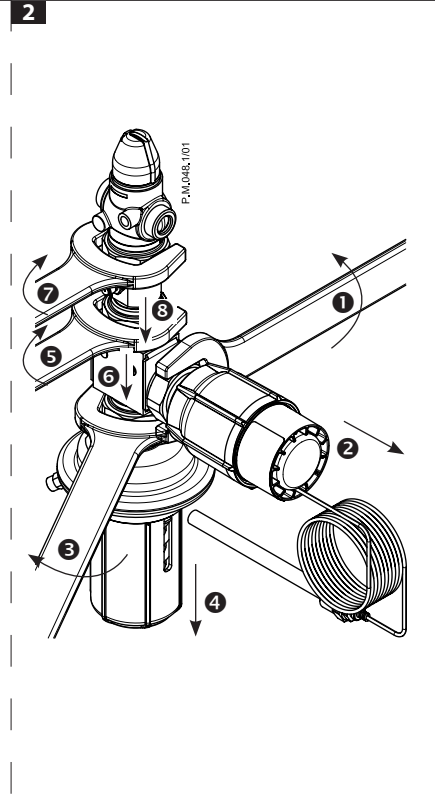
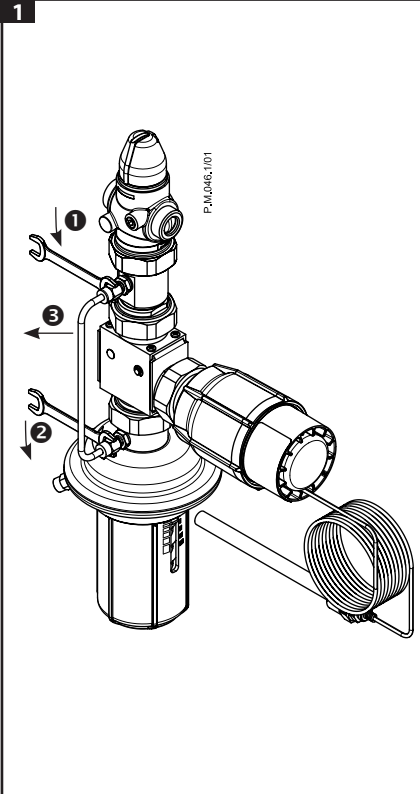
A	2
	

B	2
	

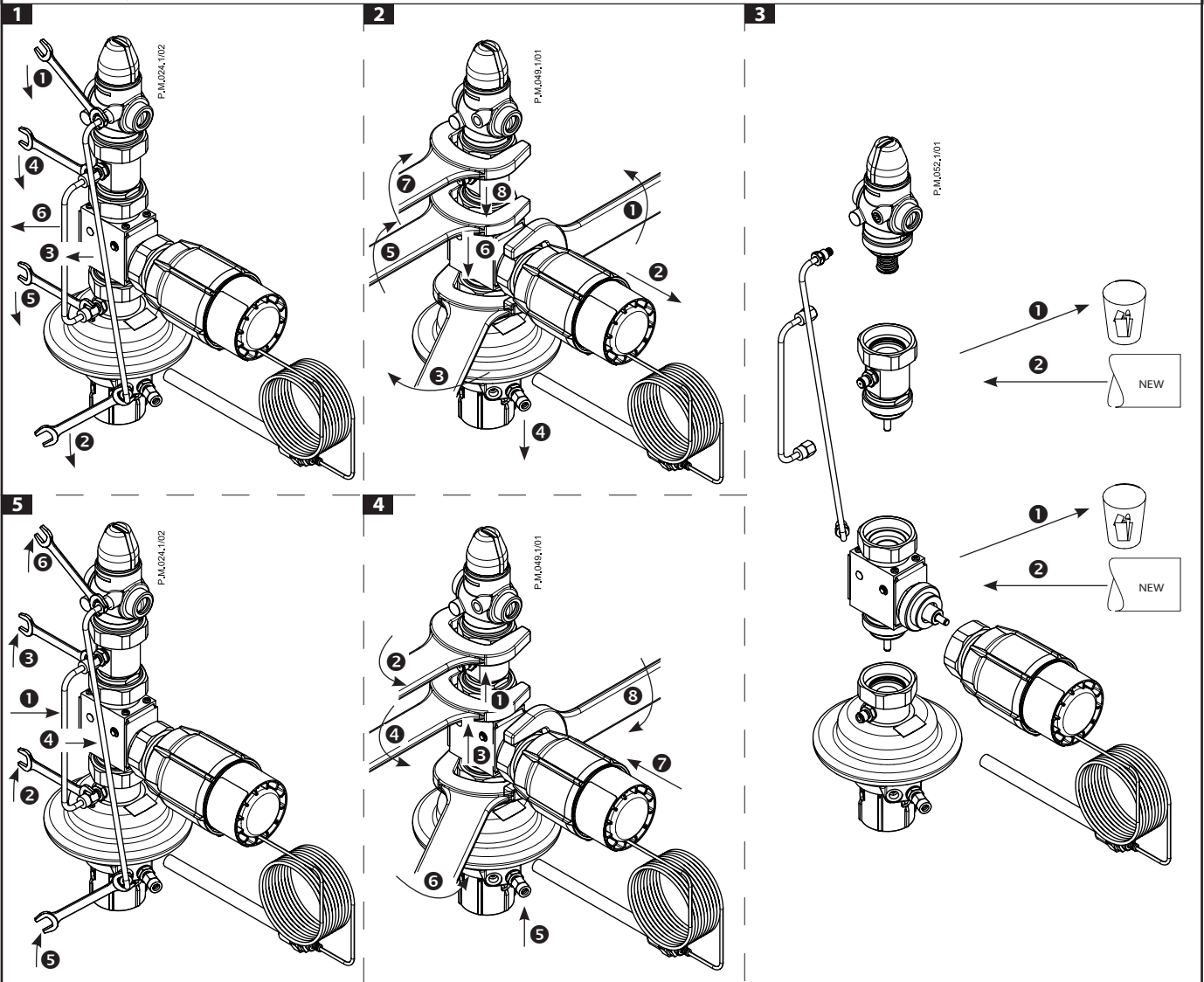
C	2
	



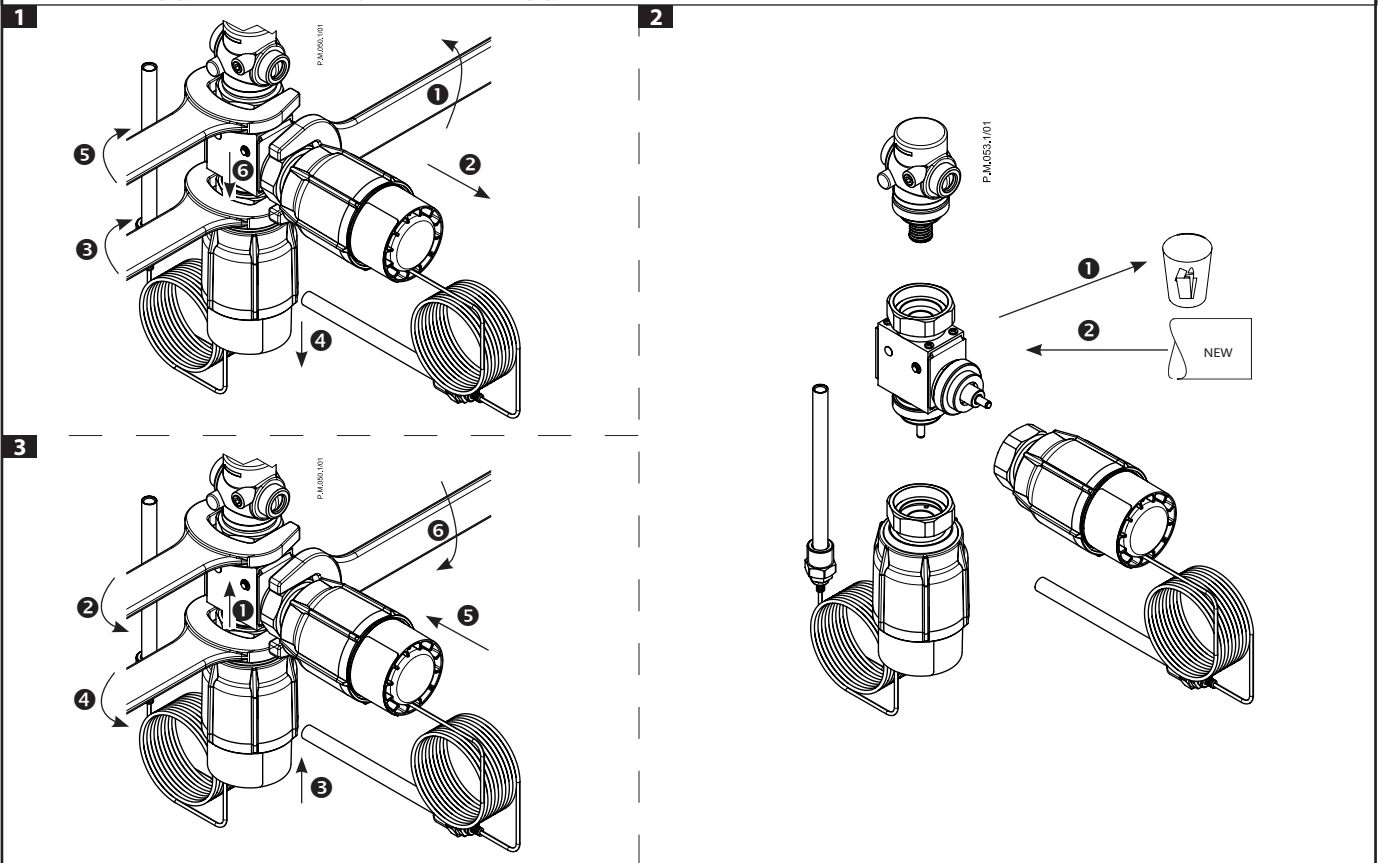
AVPBT/AVT, AVPBT/STM

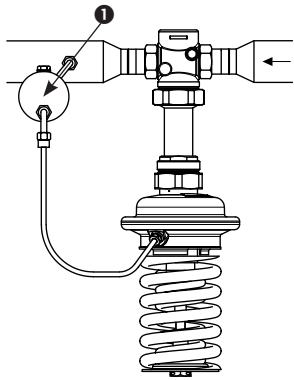
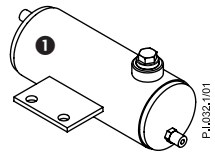


AVPQT/AVT, AVPQT/STM

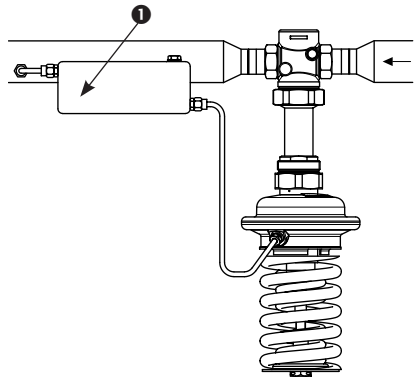


AVT/AVT/VG(F), AVT/AVT/VGS, STM/AVT/VG(F), STM/AVT/VGS

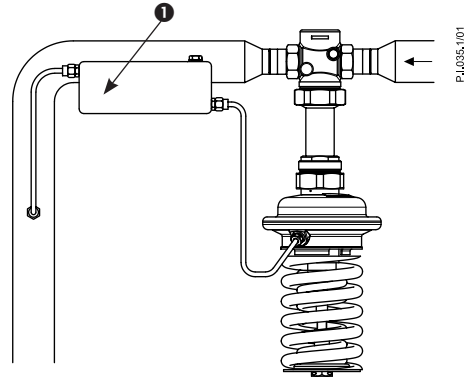




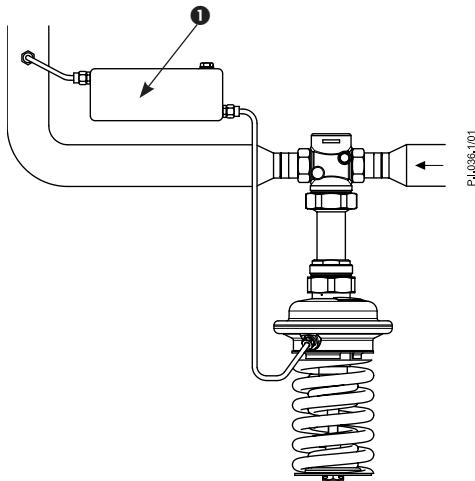
P.LJ.033.1/01



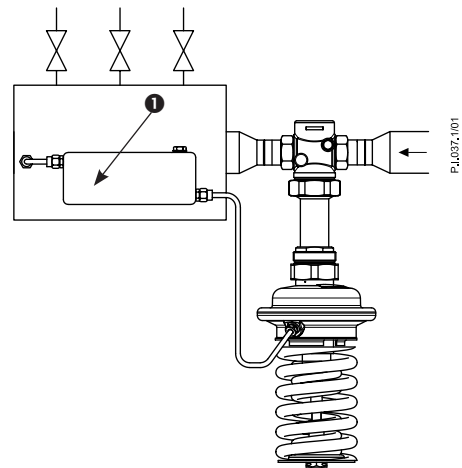
P.LJ.034.1/01



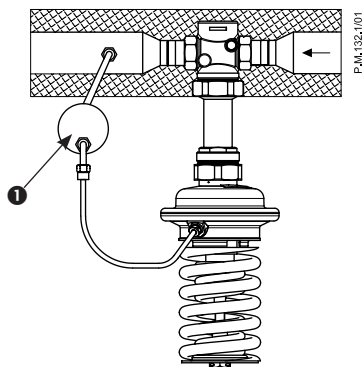
P.LJ.035.1/01



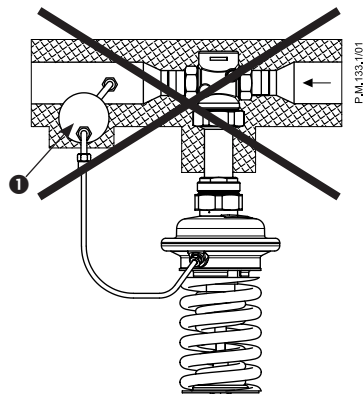
P.LJ.036.1/01



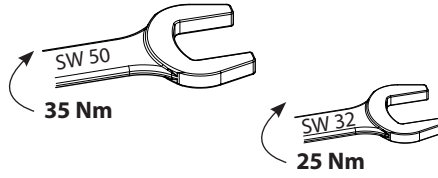
P.LJ.037.1/01



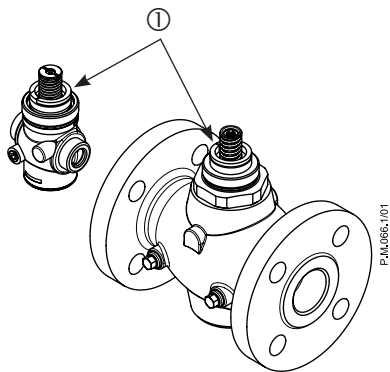
P.M.132.1/01



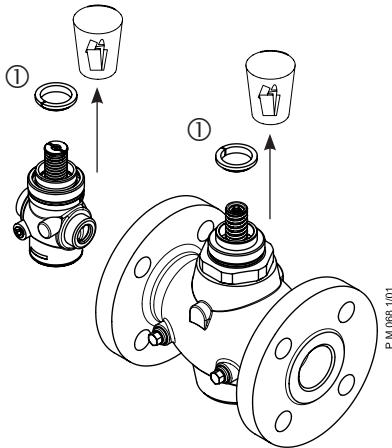
P.M.133.1/01



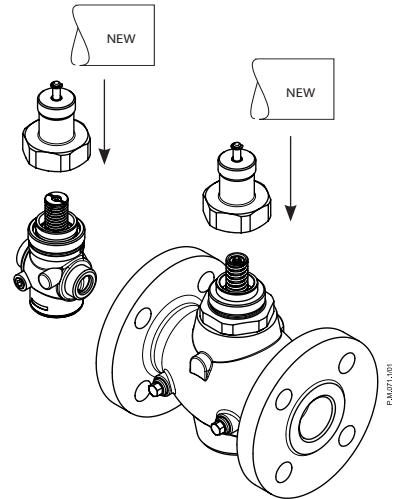
1



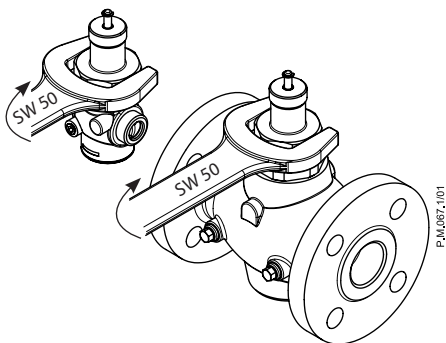
2



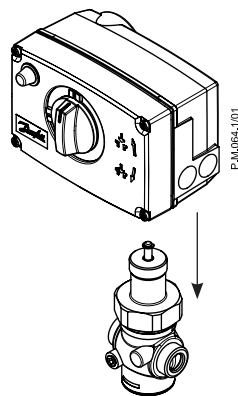
3



4



5



6

